

## CS1203 Micro pH Sensor

Adapt for eppendorf tubes  $\geq 20\mu\text{L}$

**Order number** CS12031B  
**former order number** -

### Specifications

**pH range** 0 - 12  
**zero point (pH)**  $7.00 \pm 0.25$

**temperature range** 0 - 80 °C  
**temperature probe** -

**shaft material** Glass  
**membrane glass** W28  
**membrane resistance** < 800 M $\Omega$

**reference system** SNEX(White) Ag/AgCl/KCl  
**reference diaphragm** Open  
3.3 mol/L KCl

**bridge electrolyte** Yes  
**Refillable** Double  
**junction**

**Standard Lab**  
**electrode head** 1m  
**cable length** BNC  
**connector**

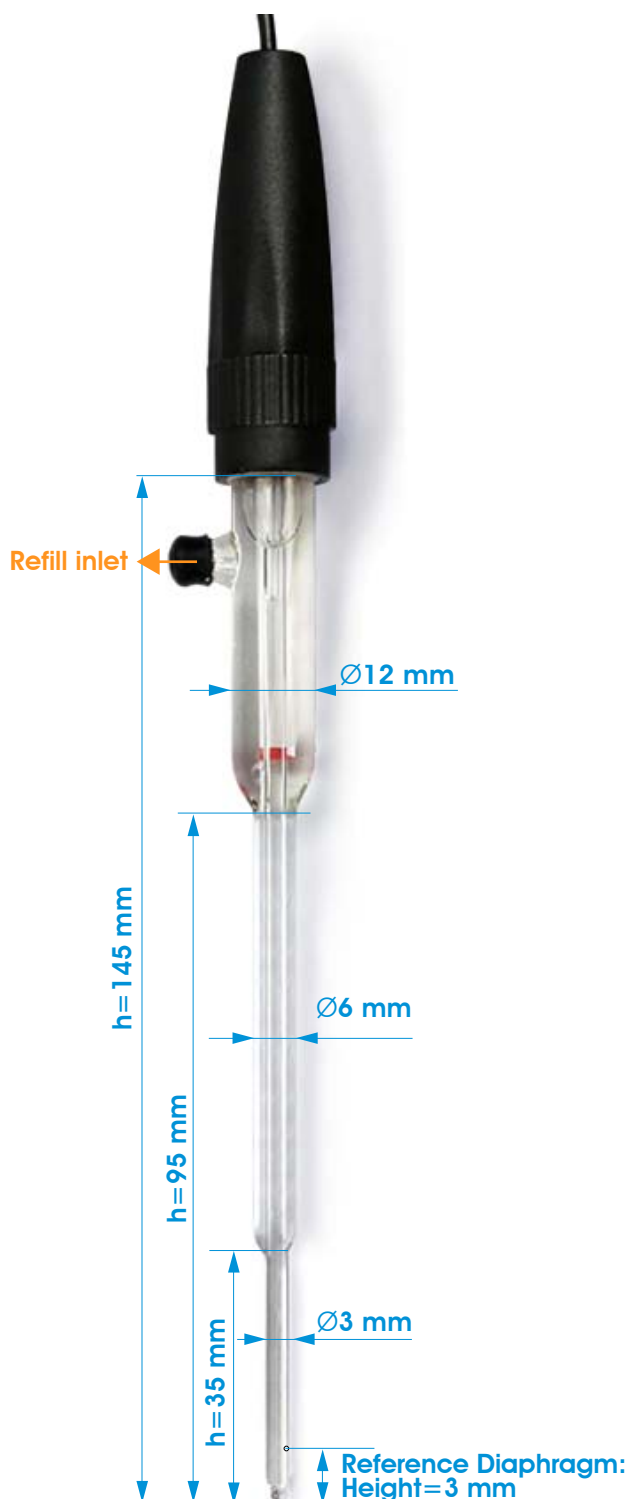
-  
**cell constant (cm<sup>-1</sup>)** -  
**cell type**

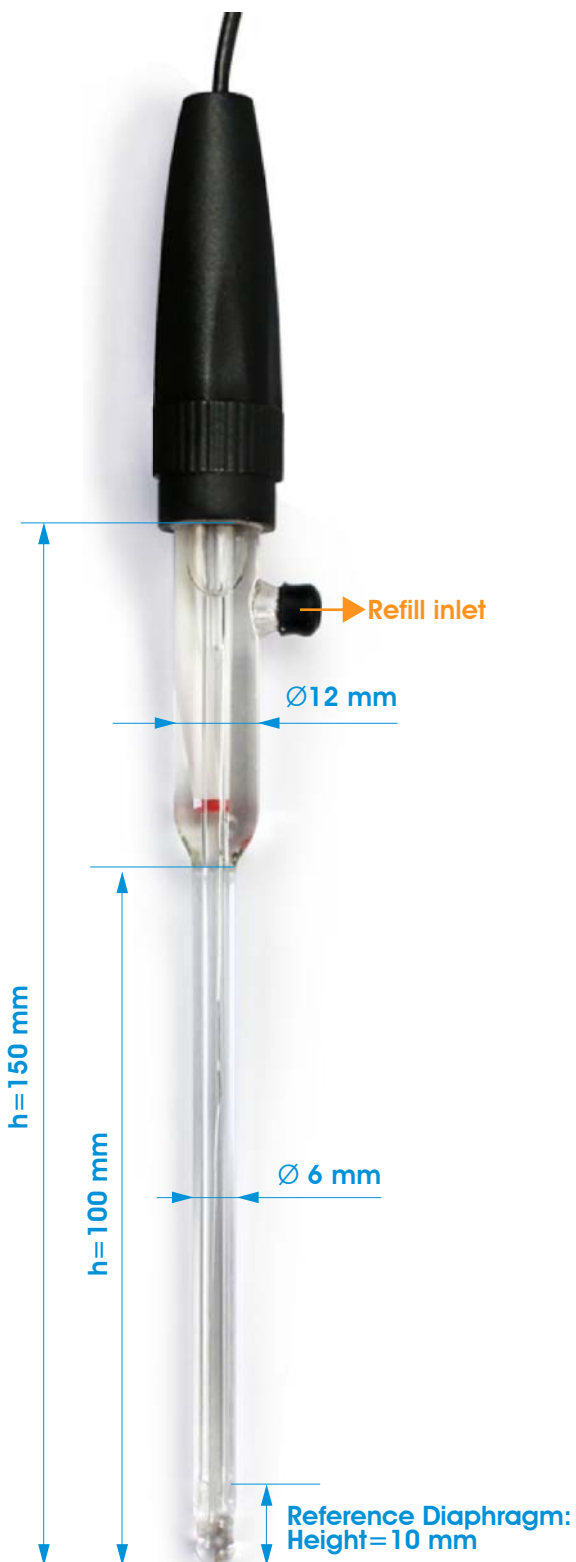
-  
**indicating metal** 3.3 mol/L KCl

### Storage

### Special features

Micro electrode diameter 3 mm, length 35mm  
SNEX White reference system, double junction  
Reference diaphragm: Open  
Minimum depth of immersion: 3 mm  
Adapt for eppendorf tubes  $\geq 20\mu\text{L}$





## CS1206 Semi-micro pH sensor designed for test tube

<b>Order number</b>	CS12061B
former order number	-

<b>Specifications</b>	
pH range	0 - 12
zero point (pH)	7.00 ± 0.25

temperature range	0 - 80 °C
temperature probe	-

shaft material	Glass
membrane glass	W28
membrane resistance	< 500 MΩ

reference system	SNEX(White) Ag/AgCl/KCl
reference diaphragm	one porous ceramic

bridge electrolyte	3.3 mol/L KCl
Refillable	Yes
junction	Double

electrode head	Standard Lab
cable length	1m
connector	BNC

cell constant (cm <sup>-1</sup> )	-
cell type	-

indicating metal	-
------------------	---

<b>Storage</b>	3.3 mol/L KCl
----------------	---------------

<b>Special features</b>	
Semi-micro electrode diameter 6 mm, length 100 mm	
SNEX White reference system, double junction	
ceramic diaphragm, pore size 0.9 μm	
minimum depth of immersion: 7 mm	



## CS1010 pH combination sensor

### General purpose

**Order number** CS10101B  
former order number -

#### Specifications

pH range 0 - 14  
zero point (pH) 7.00 ± 0.25

temperature range 0 - 80 °C  
temperature probe -

shaft material PC clear  
membrane glass B11  
membrane resistance < 600 MΩ

reference system Ag/AgCl 3.3mol/L KCl  
reference diaphragm Silicone double channels

junction Single

electrode head Standard Lab  
cable length 1m  
connector BNC

cell constant (cm<sup>-1</sup>) -  
cell type -

indicating metal -

**Storage** 3.3 mol/L KCl



## CS1211 Flat Tip pH Electrode for Skin and Surfaces

**Order number** CS12111B  
former order number -

### Specifications

pH range 0 - 12  
zero point (pH) 7.00 ± 0.25

temperature range 0 - 80 °C  
temperature probe -

shaft material Glass  
membrane glass W28  
membrane resistance < 800 MΩ

reference system SNEX Ag/AgCl/KCl  
reference diaphragm SNEX

junction Single

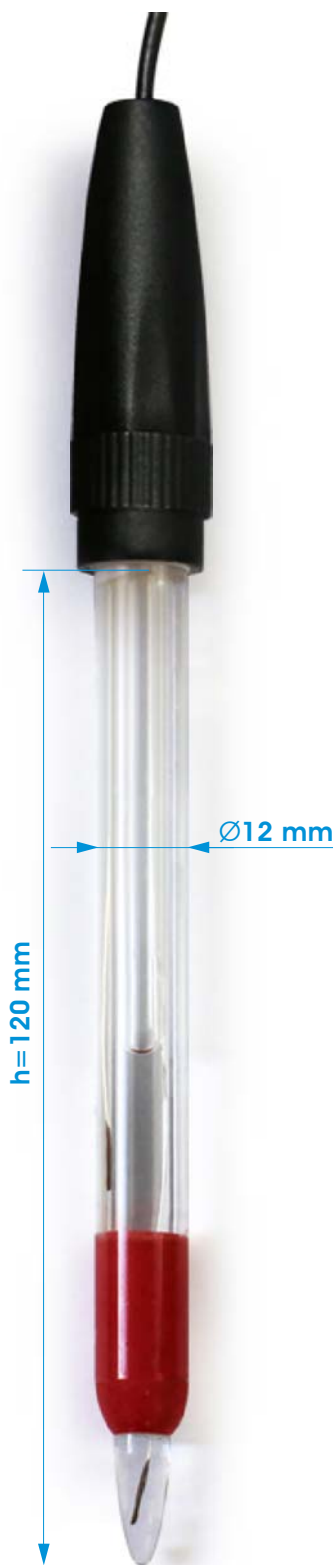
electrode head Standard Lab  
cable length 1m  
connector BNC

cell constant (cm<sup>-1</sup>) -  
cell type -

indicating metal -

**Storage** -

**Note:** After dry storage, please soak the glass sensitive membrane in water for 15 minutes before using



## CS1212 pH sensor for semisolids

<b>Order number</b>	CS12121B
former order number	-

<b>Specifications</b>	
pH range	0 - 12
zero point (pH)	7.00 ± 0.25

temperature range	0 - 80 °C
temperature probe	-

shaft material	Glass
membrane glass	W28
membrane resistance	< 600 MΩ

reference system	SNEX Ag/AgCl/KCl
reference diaphragm	SNEX

junction	Single
----------	--------

electrode head	Standard Lab
cable length	1m
connector	BNC

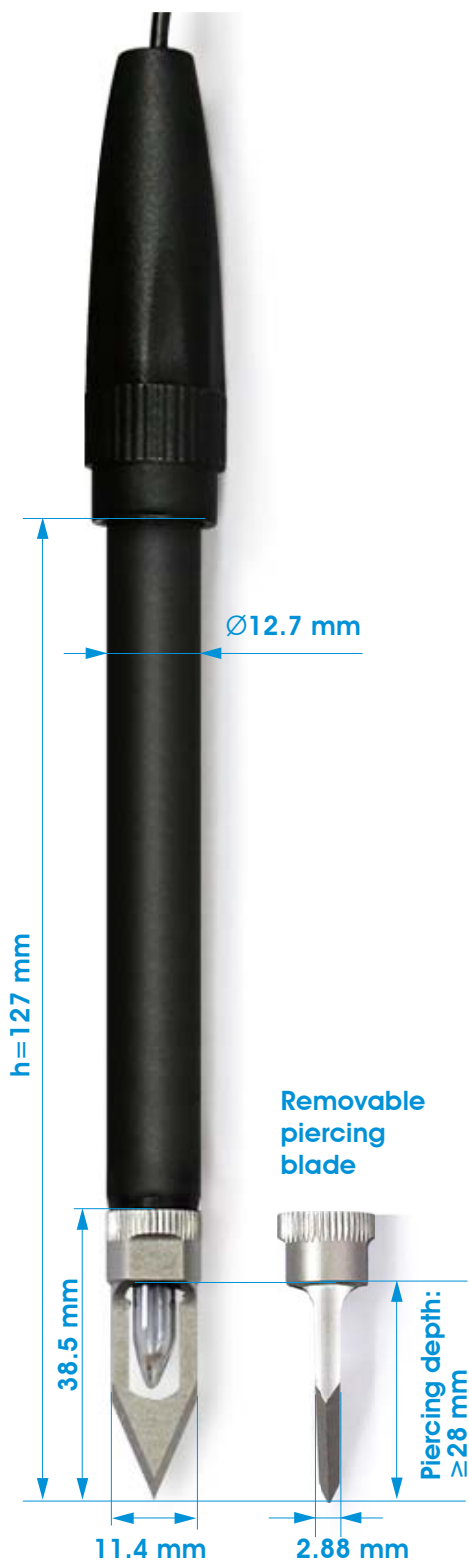
cell constant (cm <sup>-1</sup> )	-
cell type	-

indicating metal	-
------------------	---

<b>Storage</b>	-
----------------	---

**Note:** After dry storage, please soak the glass sensitive membrane in water for 15 minutes before using

## CS1215 Solid Piercing pH sensor For Meat, fruits, soil, etc..



<b>Order number</b>	CS12151B
former order number	-

<b>Specifications</b>	
pH range	0 - 12
zero point (pH)	7.00 ± 0.25
temperature range	0 - 80 °C
temperature probe	Optional: TH10KΩ, TH30 KΩ

shaft material	PA+GF
membrane glass	W28
membrane resistance	< 600 MΩ

piercing blade	CB4012 (316L Stainless Steel)
Removable	Yes

reference system	Ag/AgCl/KCl
reference diaphragm	Cloth
reference electrolyte	3.3 mol/L KCl

junction	Single
----------	--------

electrode head	Standard Lab
cable length	1m
connector	BNC

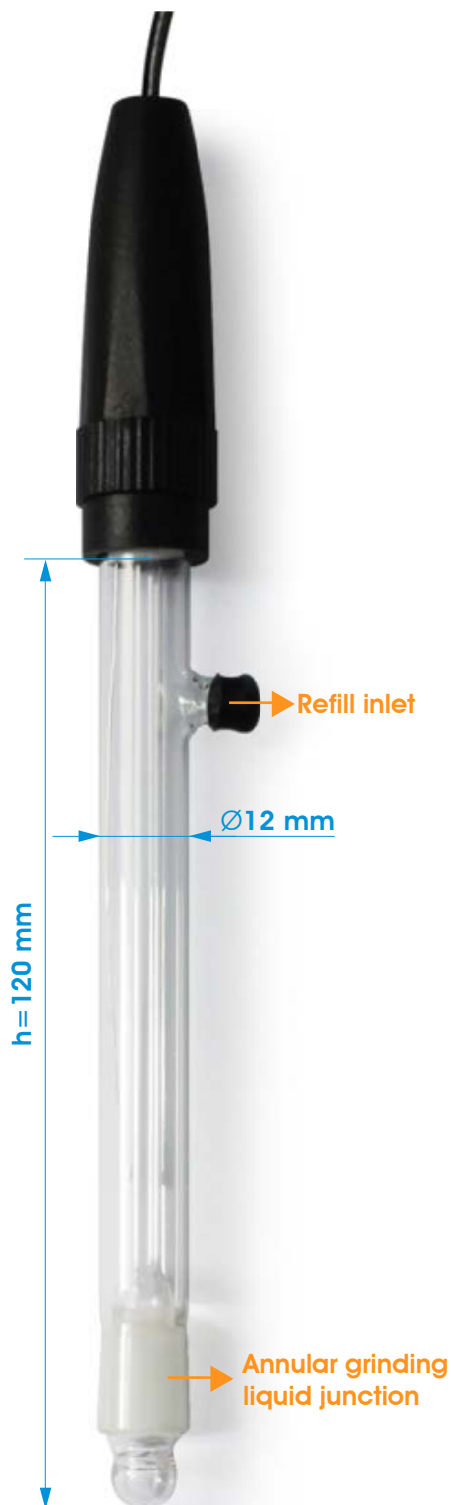
cell constant (cm <sup>-1</sup> )	-
cell type	-

indicating metal	-
------------------	---

<b>Storage</b>	3.3 mol/L KCl
----------------	---------------

<b>Special features</b>	
Removable piercing blade:CB4012	
316L stainless steel, easy cleaning.	
Minimum piercing depth: 28 mm	

## CS1218 Pure water/ low ion pH sensor Glass sensor for lab analyzing



<b>Order number</b>	CS12181B
former order number	-

<b>Specifications</b>	
pH range	0 - 12
zero point (pH)	7.00 ± 0.25
temperature range	0 - 80 °C
temperature probe	-

shaft material	Glass
membrane glass	W28
membrane resistance	< 500 MΩ

reference system	Ag/AgCl/KCl
reference diaphragm	Annular grinding
reference electrolyte	3.3 mol/L KCl

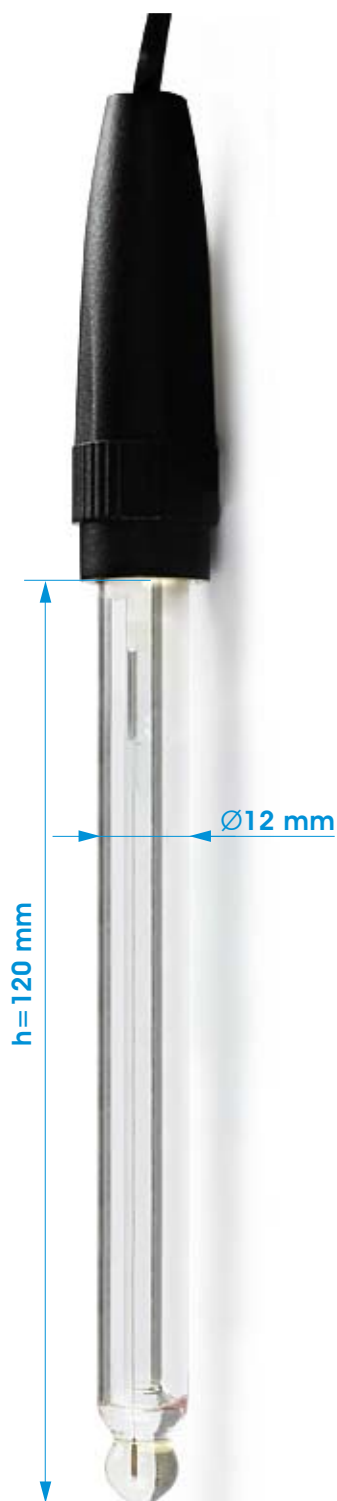
junction	Singel
bridge electrolyte	3.3 mol/L KCl
Refillable	Yes

electrode head	Standard Lab
cable length	1m
connector	BNC

cell constant (cm <sup>-1</sup> )	-
cell type	-

indicating metal	-
------------------	---

<b>Storage</b>	3.3 mol/L KCl
----------------	---------------



## CS1020 pH combination sensor

### Precise measuring

<b>Order number</b>	CS10201B
former order number	-

<b>Specifications</b>	
pH range	0 - 14
zero point (pH)	7.00 ± 0.25
temperature range	0 - 80 °C
temperature probe	-

shaft material	Glass
membrane glass	B11
membrane resistance	< 4 00 MΩ

reference system	Ag/ AgCl/ KCl
reference diaphragm	one porous ceramics

junction	Single
----------	--------

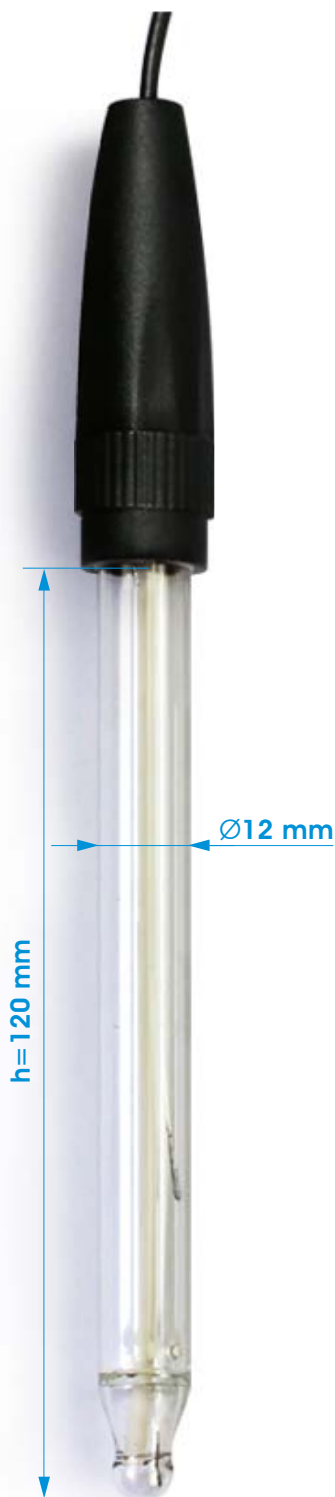
electrode head	Standard Lab
cable length	1m
connector	BNC

cell constant (cm <sup>-1</sup> )	-
cell type	-

indicating metal	-
------------------	---

<b>Storage</b>	3.3 mol/L KCl
----------------	---------------



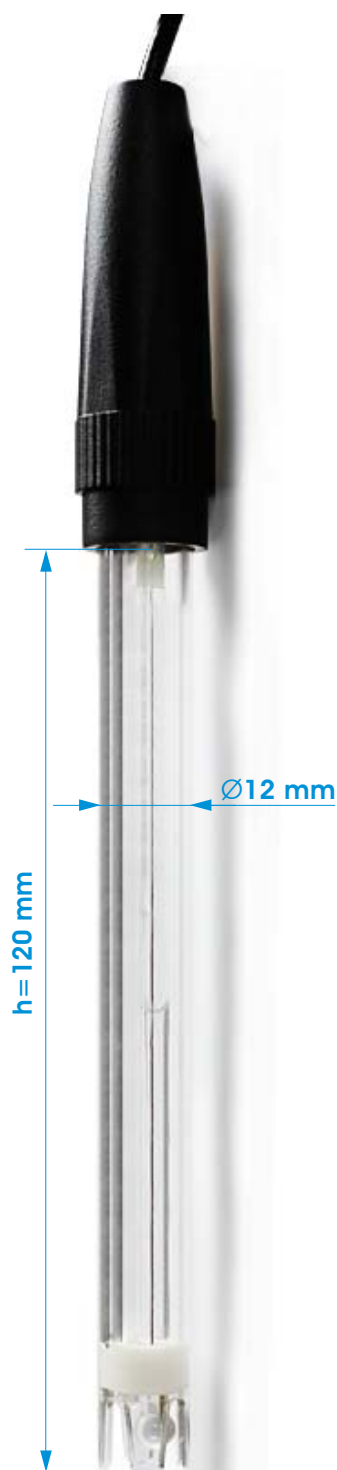


## CS1021 3-in-1 pH sensor

### Precise measuring

<b>Order number</b>	CS12011B
former order number	-
<b>Specifications</b>	
pH range	0 - 14
zero point (pH)	7.00 ± 0.25
temperature range	0 - 80 °C
temperature probe	TH10KΩ (optional:TH30KΩ)
shaft material	Glass
membrane glass	B11
membrane resistance	< 800 MΩ
reference system	Ag/ AgCl/ KCl
reference diaphragm	one porous ceramic
junction	Single
electrode head	Standard Lab
cable length	1m
connector	BNC
cell constant (cm <sup>-1</sup> )	-
cell type	-
indicating metal	-
<b>Storage</b>	3.3 mol/L KCl

## CS1030 3-in-1 pH sensor



<b>Order number</b>	CS10301B
former order number	-
<b>Specifications</b>	
pH range	0 - 14
zero point (pH)	7.00 ± 0.25
temperature range	0 - 80 °C
temperature probe	TH10KΩ (optional:TH30KΩ)
shaft material	PC clear
membrane glass	B11
membrane resistance	< 600 MΩ
reference system	Ag/ AgCl/ KCl
reference diaphragm	Silicone double channels
junction	Single
electrode head	Standard Lab
cable length	1m
connector	BNC
cell constant (cm <sup>-1</sup> )	-
cell type	-
indicating metal	-
<b>Storage</b>	3.3 mol/L KCl

## CS1258 pH sensor designed for colloid / viscous fluids



<b>Order number</b>	CS12581B
former order number	-

<b>Specifications</b>	
pH range	0 - 14
zero point (pH)	7.00 ± 0.25

temperature range	0 - 90 °C
temperature probe	-

shaft material	Glass
membrane glass	B11
membrane resistance	< 900 MΩ

reference system	SNEX Ag/AgCl/KCl
reference diaphragm	SNEX

junction	Singel
----------	--------

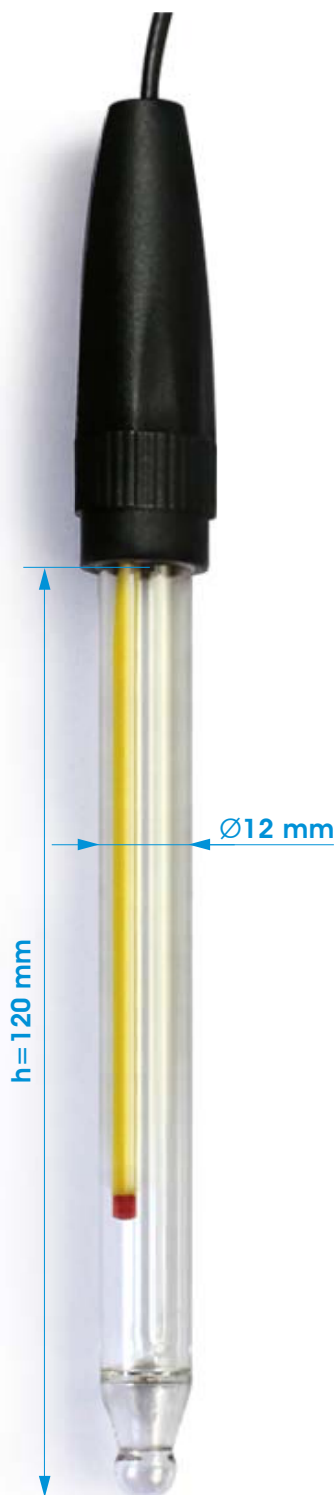
electrode head	Standard Lab
cable length	1m
connector	BNC

cell constant (cm <sup>-1</sup> )	-
cell type	-

indicating metal	-
------------------	---

<b>Storage</b>	-
----------------	---

**Note:** After dry storage, please soak the glass sensitive membrane in water for 15 minutes before using



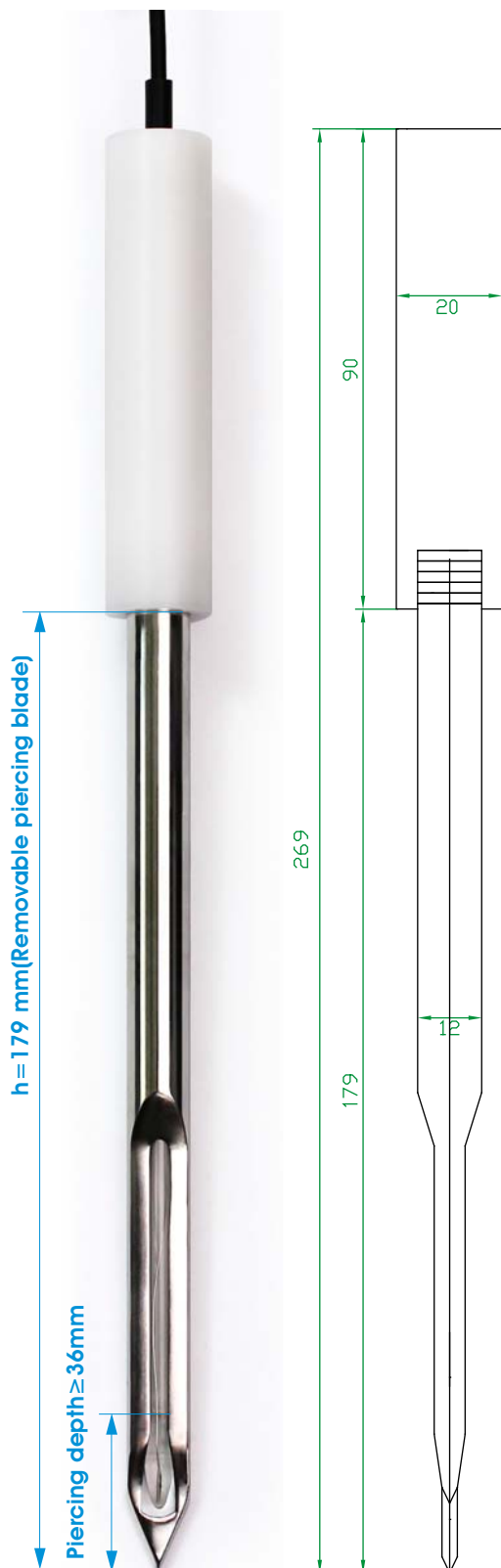
## CS1297 Non- aqueous phase (organic phase) pH sensor

### Glass sensor for lab analyzing

<b>Order number</b>	CS12971B
former order number	-
<b>Specifications</b>	
pH range	0 - 12
zero point (pH)	7.00 ± 0.25
temperature range	-10 - 90 °C
temperature probe	Optional
shaft material	Glass
membrane glass	W28
membrane resistance	< 500 MΩ
reference system	SNEX (Yellow) Ag/ AgCl/ KCl
reference diaphragm	one porous ceramic
bridge electrolyte	Sat. LiCl solution
junction	Double
electrode head	Standard Lab
cable length	1m
connector	BNC
cell constant (cm <sup>-1</sup> )	-
cell type	-
indicating metal	-
<b>Storage</b>	-

## CS1216 Long Knife Solid Piercing pH sensor

For Meat, fruits, soil, etc..



**Order number** CS12161B  
 former order number -

electrode head (without piercing blade) CS1216G  
 removable piercing blade S216 (316L Stainless Steel)

### Specifications

pH range 0 - 12  
 zero point (pH) 7.00 ± 0.25

temperature range 0 - 60 °C

hand shank material POM  
 shaft material 316L Stainless Steel  
 membrane glass W28  
 membrane resistance < 600 MΩ

reference system Ag/AgCl/KCl  
 reference diaphragm one porous ceramic  
 liquid junction Single

cable length 1m  
 connector BNC

cell constant (cm<sup>-1</sup>) -  
 cell type -

indicating metal -

**Storage** 3.3 mol/L KCl

### Special features

Removable piercing blade: S216  
 316L stainless steel, easy cleaning.  
 Minimum piercing depth: 36mm